

Holmatro

Spreader SP 5260

Lightweight Strength for Every Rescue

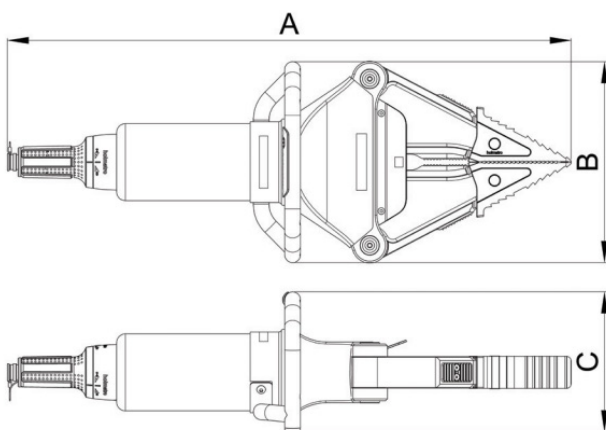


Product Overview

- The Holmatro Spreader SP 5260 is equipped with CORE Technology. This SP 5260 is a lightweight spreader for spreading, squeezing and pulling with one tool.
- Standard supplied with:
 - Carrying Handle with integrated LED lighting
 - Redesigned, ergonomic control handle with improved grip
 - CORE Technology: quicker, safer, easier

Key Features

- **Lightweight, no concessions on performance:**
 - Easy to carry and handle
 - Reducing physical burden
 - Maximum performance at minimum weight
- **Effective profile on the spreading tips:**
 - Perfect grip in every situation
- **Ergonomic carrying handle:**
 - New design increases operator comfort in various working positions
- **New LED lighting in the carrying handle:**
 - No less than six LED lights with a higher light output
 - Rescuers can start their job right away, both during the day and at night, without working in their own shadow
- **New control handle:**
 - Improved ergonomic design, offering better grip for optimal tool control



Holmatro

Spreader SP 5260

Lightweight Strength for Every Rescue

Specifications		
Article number		150.012.325
Model		SP 5260
Equipped with (connector type)		CORE
Short description		Spreader
Max. working pressure	bar/Mpa	720 / 72
Spreading distance	mm	822
Max. pulling force	kN/t	82 / 8.4
Pulling distance	mm	701
Max. spreading force	kN/t	522 / 53.2
Theoretical calculated spreading force	kN/t	875 / 89.2
Min. spreading force (EN 13204)	kN/t	62 / 6.3
Max. spreading force, 25mm/1in from the tip	kN/t	148 / 15.1
Max. squeezing force	kN/t	127 / 13
Min. squeezing force (EN 13204 2025 Ed.)	kN/t	53 / 5.4
Required oil content (effective)	cc	384
Hydraulic oil type		ISO-L HV VG 15/22
Temperature range	°C	-20 +55
Dimensions (AxBxC)	mm	900 x 322 x 223
Weight (without hose)	kg	19.6
Weight, ready for use (hose connected acc. EN 13204 2025 Ed.)	kg	20.9
EN 13204 classification		BS62/822-19.6
EN 13204 2025 Ed classification		SP4-62/822
NFPA 1960, HPF	kN/t	82 / 8.4
NFPA 1960, HSF	kN/t	117 / 11.9
NFPA 1960, LPF	kN/t	37 / 3.8
NFPA 1960, LSF	kN/t	58 / 5.9
NFPA 1960 compliant		Yes

Safety factors / tests	
Hydraulic safety factor	2:1
Endurance test tool	1000 cycles of opening and closing while arms are loaded
Endurance test dead man's handle	6000 cycles

Standard supplied with	
<ul style="list-style-type: none"> Carrying handle with integrated LED lighting Redesigned, ergonomic control handle with improved grip CORE Technology: quicker, safer, easier 	

Accessories	
Cutting Tip Set CTS 02	150.006.466
Pulling Attachment Set PAS 03	150.182.275
Spreading Tip Set STS 05	151.002.018
Pulling Chains Set PCS 03	150.582.261
Pulling Chains Set in Case PCS 04	150.582.020

